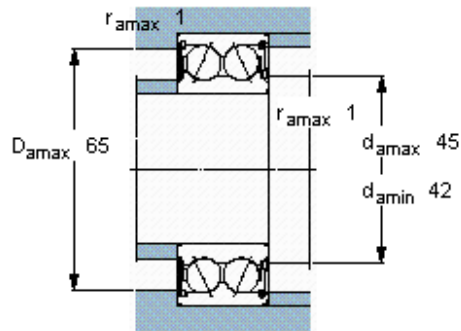
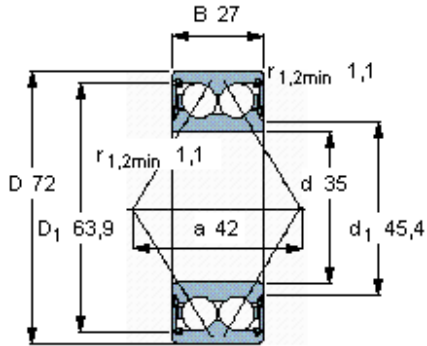


Angular contact ball bearings, double row

Principal dimensions			Basic load ratings		Speed ratings		Designation
d	D	B	dynamic C	static C0	Reference speed	Limiting speed	
mm			kN		r/min		* SKF Explorer bearing
35	72	27	40	28	-	6300	3207 A-2RS1TN9/MT33 *



Calculation factors

k_r 0,06
 e 0,8
 X 0,63
 Y_1 0,78
 Y_2 1,24
 Y_0 0,66